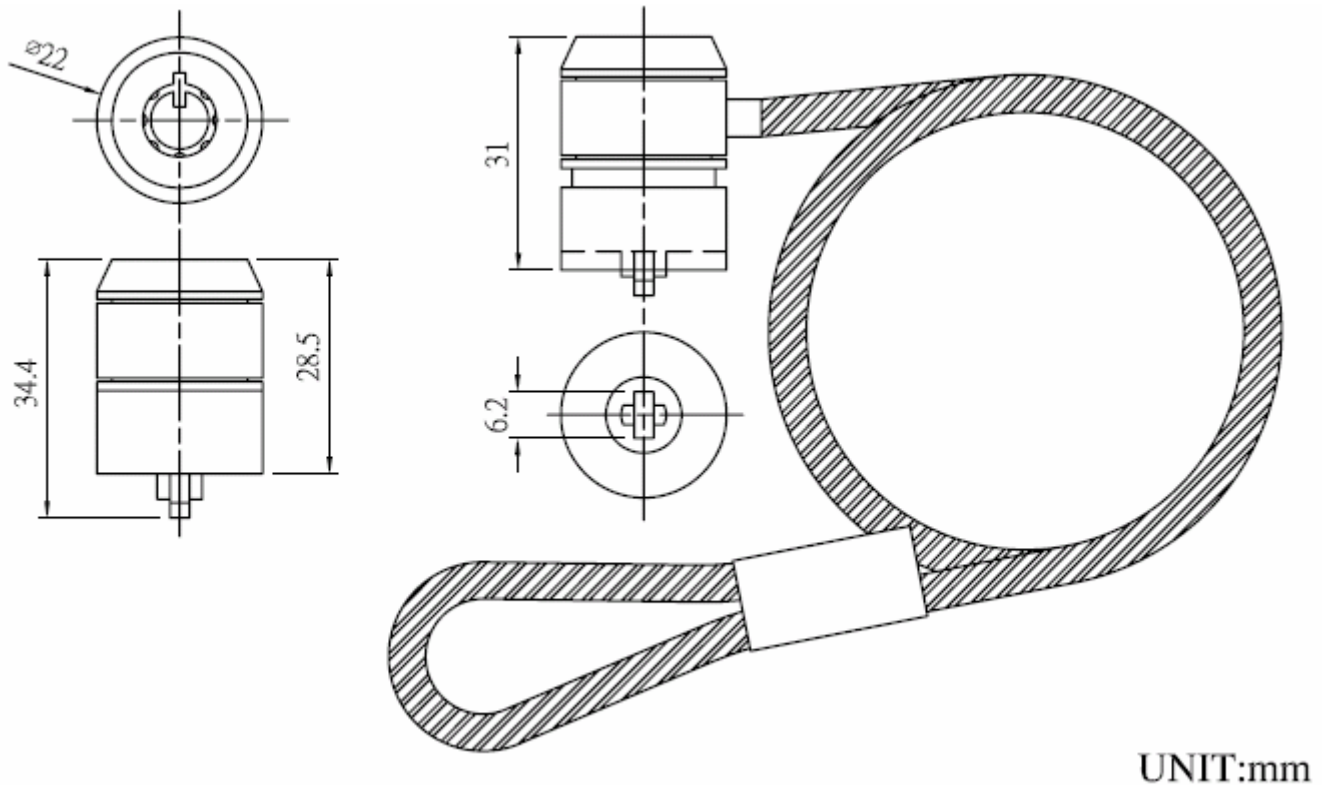


CABLE LOCK CD203



DESCRIPTIONS

- 1.Zinc alloy die cast housing and cylinder chrome plated.
- 2.7 pin tumbler mechanism.
- 3.1700mm length 3.2mm diameter stainless steel wire with PVC.
- 4.1000 combinations available.
- 5.Master keyed available to order.